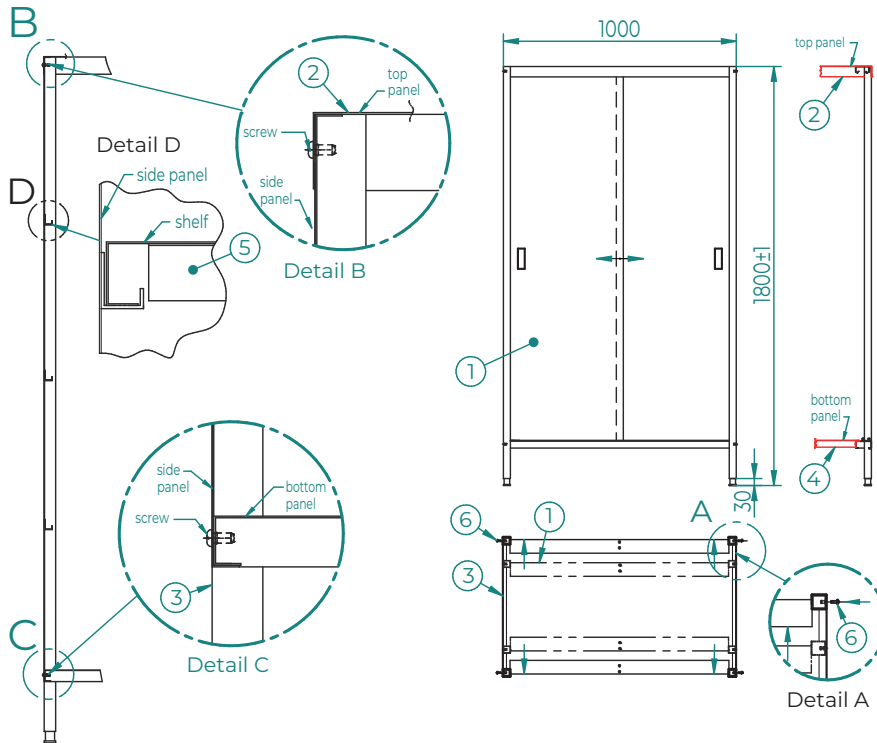


Assembly instructions

POL-311SK



Assembly of the flat-pack wardrobe:

1. With the door bodies in a vertical position, slide them into the side panels and move them until they rest against the bends in the sides (see directional arrows in the diagram).
2. Place the top panel (ceiling) on top of the structure.
3. Fasten the entire assembly using the M5x16 connecting elements (packed in the zip-lock bag) supplied with the wardrobe.
4. Install the bottom panel (floor).
5. Remove the protective film and adjust the wardrobe using the leveling feet.

Wardrobe components:

1. Door body – 2 pcs
2. Top panel (ceiling) – 1 pc
3. Side panel – 2 pcs
4. Bottom panel (floor) – 1 pc
5. Shelf – 3 pcs
6. Connecting elements M5x16 – 8 pcs

Required tool:

1. Phillips screwdriver (not included)